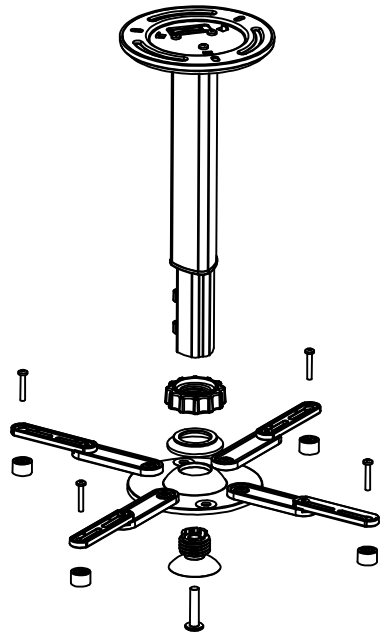
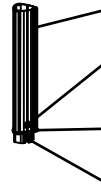


In the box



Ceiling plate×1



Main plate×1
M6×8 screw×1
Column cover×1
Expansion column×1



Ceiling cover×1



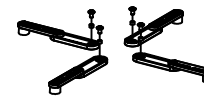
Cable cover×2 (Long model)
Cable cover×1 (Middle model)
Cable cover×0 (Short model)



Cable clamp×2 (Long model)
Cable clamp×1 (Middle model)
Cable clamp×0 (Short model)



— Angle locker
— Locker cushion
— Mounting base
— Locker base



Spider mounting system:
Leg connecting screw×4pcs
Bushing pipe×4pcs
Main leg×4pcs
Extension leg×4pcs
Mounting cushion×4pcs

Dj15 projector mount

Screws specifications:



M4×12 screw×3pcs



Expansion tube×3pcs



M8×35 screw×1pcs



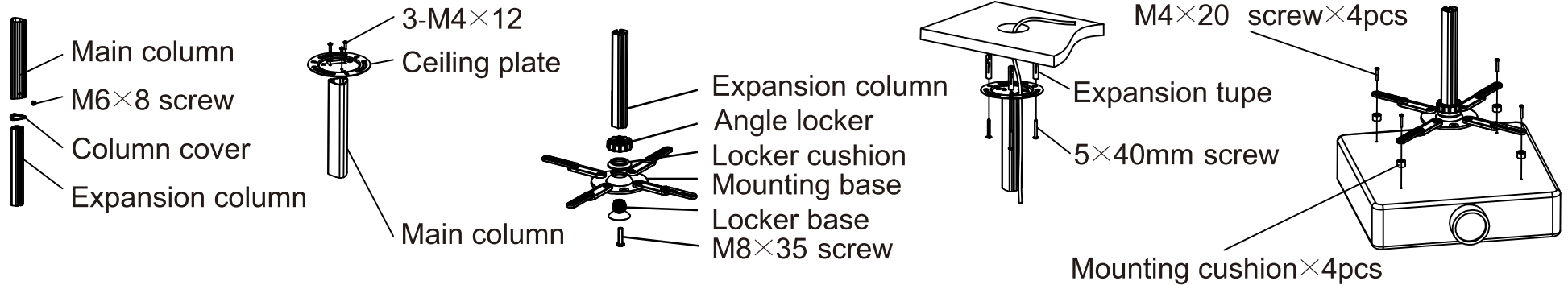
M4×20 screw×4pcs



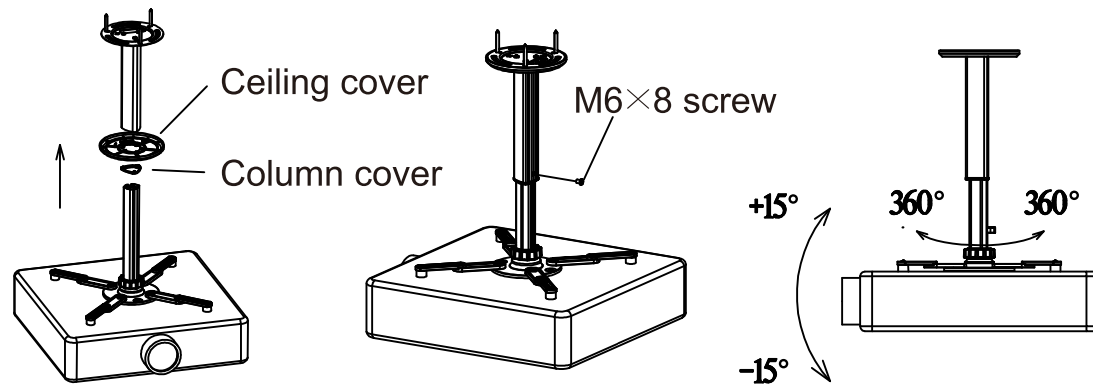
5×40 screw×3pcs

Installation Instruction

Step 1: Split the columns, assemble the top part and bottom part of projector mount.



Step 3: Assemble the projector mount and adjust to proper position.



Step 4: Cover it up, job done!

